

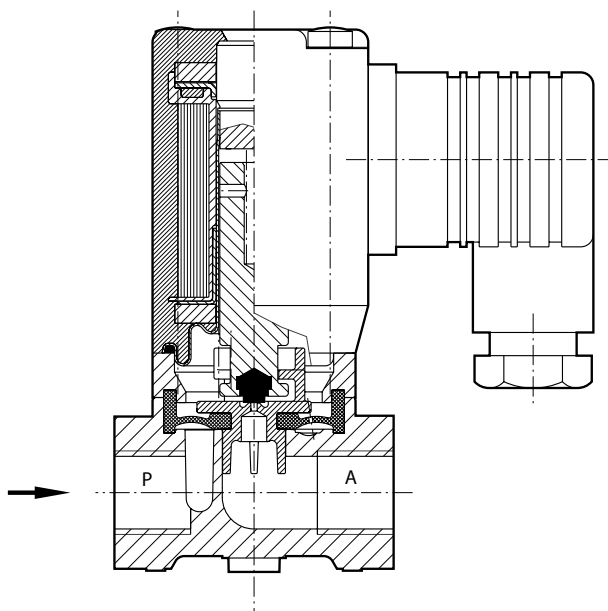
Construction

The GEMÜ 8257 2/2-way solenoid valve with a positive lift diaphragm has a brass or stainless steel valve body. All medium wetted parts are made of NBR, FPM, EPDM, PVDF, brass or stainless steel.

The electrical connection is made via a plug to DIN EN 175301-803 form A. The coil has isolation class F as standard. The valve is suitable for inert media such as air, water and oil.

Advantages

- Valve operates without minimum pressure differential (Δp)
- Soft closing action
- Compact design
- Suitable for vacuum applications
- Explosion protected solenoids acc. to ATEX available as an option
- Optimum media compatibility due to choice of materials
- NPT thread available
- Option: for liquids and steam up to 150°C

**Sectional drawing - GEMÜ 8257**

Technical data

Working medium

Inert gaseous or liquid media which have no negative impact on the physical and chemical properties of the body and seal material.

Max. perm. viscosity of working medium

25 mm²/s (cSt)

Note: When used with contaminated media we recommend installing a strainer in front of the valve (on request)

Perm. temperature of working medium

-10° to +90°C

-10° to +150°C only with seal material HNBR (code 7)

Ambient temperature

-10° to +50°C

Mounting position

Optional, preferably coil vertically upwards

Power consumption

AC operation: Pull in / Hold in
Control function 1 13 VA

DC operation: Pull in / Hold in
Control function 1 12 W

Protection class

IP 65 (with plug)

Permissible voltage tolerance

±10 % to VDE 0580

Rating

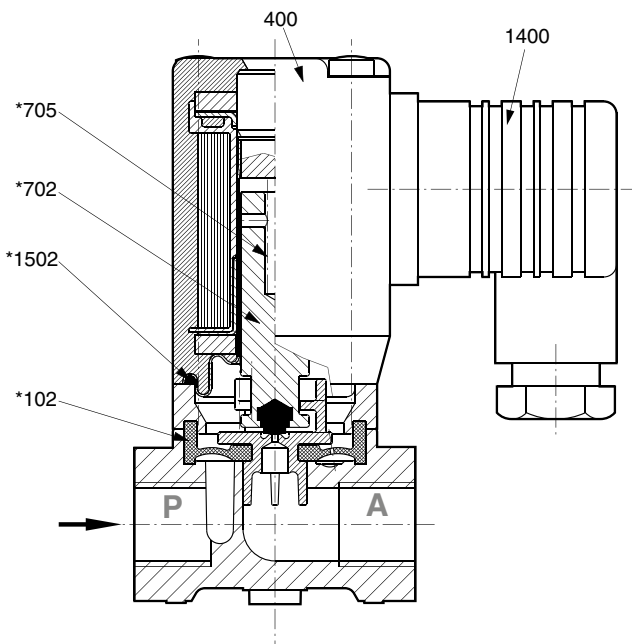
Continuously rated

Nominal size [DN]	Connection - Threaded sockets		Operating pressure [bar]		K _v value [m ³ /h]	Weight [kg]
	DIN ISO 228	NPT	Seal material			
			Code 2, 4, 14	Code 7		
10	G 1/4	1/4" NPT	0 - 10	0 - 6	1.5	0.5
	G 3/8	3/8" NPT			1.7	0.5
	G 1/2	1/2" NPT			1.7	0.6

Wiring note

Special wiring on request. When using electronic switches and additional wiring, carefully design out any potential residual currents upon installation.

Spare parts



- *102 Diaphragm
- 400 Solenoid
- *702 Armature
- *705 Compression spring
- 1400 Plug
- *1502 O-ring

All the parts marked * are included in the wearing parts kit. When ordering spare parts, please state the complete valve order number.

Order data

Body configuration	Code
2/2-way	D

Connection	Code
G 1/4 Threaded sockets DIN ISO 228	G2
G 3/8 Threaded sockets DIN ISO 228	G3
G 1/2 Threaded sockets DIN ISO 228	G4
G 1/4 Threaded sockets NPT	N2
G 3/8 Threaded sockets NPT	N3
G 1/2 Threaded sockets NPT	N4

Valve body material	Code
CW617N, Brass	12
1.4408, stainless steel	37

Seal material	Code
NBR (Perbunan N) max. 90°C	2
FPM max. 90°C	4
EPDM max. 90°C	14
HNBR max. 150°C	7

Control function	Code
Normally closed	1

Supply voltage	Code
24V AC	24
110V AC	110
230V AC	230
24V DC	24

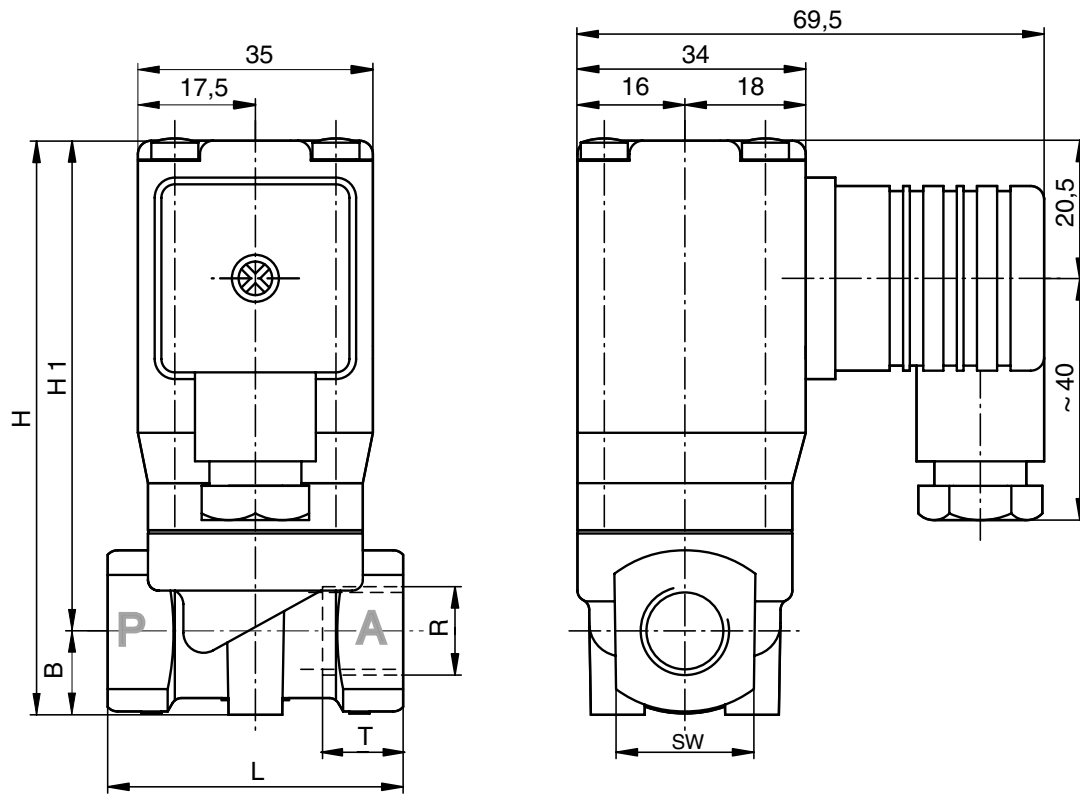
Frequency	Code
50 Hz	50
60 Hz	60
DC	DC

Special function	Code
ATEX marking:	
⊕ II 2 G EEx me II T3 / T4	
⊕ II 2 G EEx m II T3 / T4	
II 2 D T140°C	X

Available voltages / Frequency		
AC	24V AC	50 / 60 Hz
	110V AC	50 / 60 Hz
	230V AC	50 / 60 Hz
DC	24V DC	-
Other voltages on request		

Order example	8257	10	D	G2	12	2	1	230	50	X
Type	8257									
Nominal size		10								
Body configuration (code)			D							
Connection (code)				G2						
Valve body material (code)					12					
Seal material (code)						2				
Control function (code)							1			
Supply voltage (code)								230		
Frequency (code)									50	
Special function (code)										X

Dimensions [mm]



Body dimensions - GEMÜ 8257 [mm]

DN	B	H	H1	L	SW	Threaded sockets DIN ISO Connection code 1		Threaded sockets NPT Connection code 31	
						R	T	R	T
10	14	87	73.0	44	21	G 1/4	12	1/4" NPT	10
		87	73.0	44	21	G 3/8	12	3/8" NPT	10
		90	74.5	60	27	G 1/2	15	1/2" NPT	13

Other metal solenoid valves



GEMÜ 8253

Servo assisted solenoid valve with a positive lift diaphragm without pressure differential
Brass or stainless steel
DN 10 - 25 (0 - 16 bar)



GEMÜ 8258

Servo assisted solenoid valve with pressure differential
Brass or stainless steel
DN 8 - 15 (0.1 - 16 bar)



GEMÜ 8259

Direct acting solenoid valve without pressure differential
Brass or stainless steel
DN 1.5 - 5 (0 - 25 bar)

For other solenoid valves, accessories and other products, please see our Product Range catalogue and Price List. Contact GEMÜ.

GEMÜ® VALVES, MEASUREMENT
AND CONTROL SYSTEMS

