

Solenoid Valve, Metal

Construction

The 3/2 way servo assisted solenoid valve has an aluminium body and is indirectly controlled. Its detachable coil is encapsulated in plastic and its indirectly controlled T-ring piston slide valve has a soft seal. The electrical connection is made via a plug to DIN EN 175301-803 form A.

Features

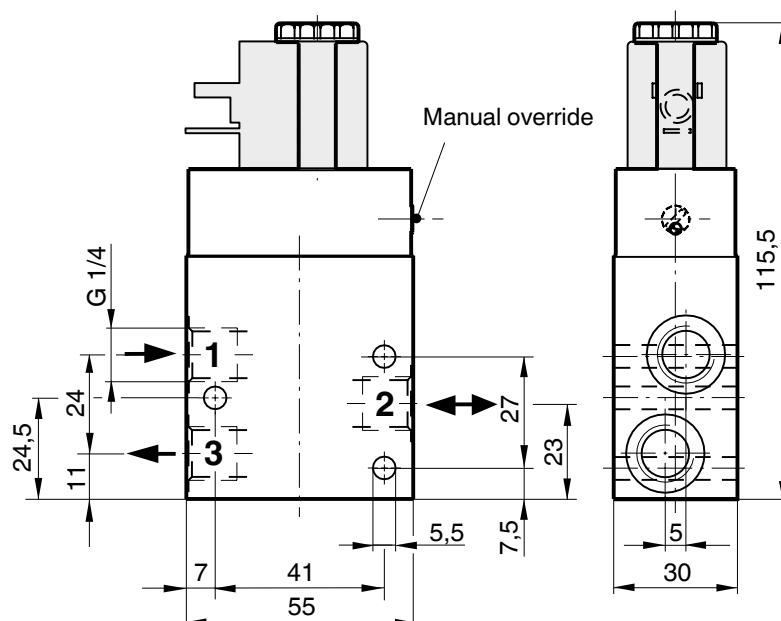
- Filtered, lubricated or oil-free compressed air is a suitable working medium
- The valve is suitable for the control of single acting pneumatic cylinders and membrane actuators or other pneumatic actuators
- In order to achieve the maximum possible reliability and service life it is advisable to prepare the working medium using a lubricator and filter regulator

Advantages

- The valve can be mounted in any position
- Standard manual override
- Battery mounting with common air inlet is possible
- The coil can be replaced without removing the valve body from the pipeline



Sectional drawing of construction



Technical data

Working medium

Filtered, lubricated or unlubricated compressed air which has no negative impact on the physical and chemical properties of the body and seal material.

Perm. temp. of working medium -10 ... +60 °C

Mounting position

Optional

Flow direction

Specified

Switching time

Approx. 20 ms

Power consumption

A.C. operation 4.9 VA

D.C. operation 2.7 W

Protection class

IP 65 (Ex version upon request)

Permissible voltage tolerance

±10 % to VDE 0580

Rating

Continuously rated

Alternative versions

ATEX

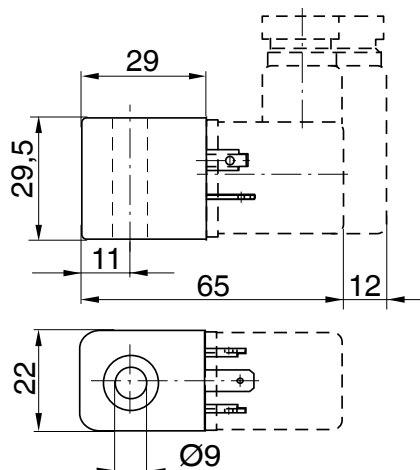
Nominal size	Working pressure	Flow rate value	Note	Weight
DN	[bar]	[l/min]		[kg]
6	1.0 - 10	1200*	Back flow through R cannot be throttled	0.4

* 6 bar pressure 1 bar Δp

Wiring note:

Special wiring on request. When using electronic switches and additional wiring, carefully design out any potential residual currents upon installation.

Sectional drawings / Solenoid dimensions GEMÜ 3033



Order data

Body configuration	Code
Multi-way	M

Voltage	Code
24 V	24
230 V	230

Connection	Code
Threaded sockets DIN ISO 228	1

Frequency	Code
50 Hz	50
DC	DC

Valve body material	Code
Aluminium	14

Special function	Code
ATEX	X

Seal material	Code
NBR (Perbunan)	2

Switching position	Code
Closed neutral position	1
Open neutral position	2

Voltage / Frequency availability	
AC voltage 24 V AC, 230 V AC	50 Hz
DC voltage 24 V DC	-
Further voltages upon request.	

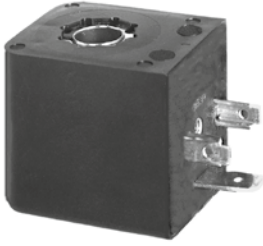
Order example	8357	6	M	1	14	2	1	230	50	-
Type	8357									
Nominal size		6								
Body configuration (code)			M							
Connection (code)				1						
Valve body material (code)					14					
Seal material (code)						2				
Switching position (code)							1			
Voltage (code)								230		
Frequency (code)									50	
Special function (code)										-

Order information

Suitable plug acc. to DIN EN 175301-803 form A, loose plug: type GEMÜ 1220/1221

Direct mounting to valves with G 1/4" thread with double threaded nipple type GEMÜ 1755

Accessories / Spare parts



Standard version
Solenoid GEMÜ 3033
Typen-Nr. 8506000P3033
for DC current 2.7 W
Design A (plug)

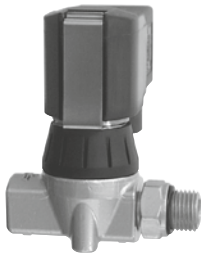


GEMÜ 1050
Mounting bracket

ATEX version
Ex-solenoid 3060
Type no. 8458000P3060
for DC current
Design B with 3 m cable
Protection class:
II 2G Ex mb IIC T4/T5 Gb
II 2D Ex mb tb IIIC T95°C, T130° Db

ATEX version
Ex-solenoid 3061
Type no. 8458000P3061
for AC current
Design B with 3 m cable
Protection class:
II 2G Ex mb IIC T4/T5 Gb
II 2D Ex mb tb IIIC T95°C, T130° Db

Other metal pilot valves



GEMÜ 8303
3/2-way metal pilot valve,
directly controlled,
brass or stainless steel,
DN 2 (1.0 - 10 bar)



GEMÜ 8505
4/2-way metal pilot valve,
servo assisted,
aluminium
DN 4 + 7 (1.0/1.5 - 10 bar)



GEMÜ 8506
3/2 and 5/2-way metal pilot valve,
servo assisted,
aluminium
DN 6 (2.0 - 8.0 bar)

For other solenoid valves, accessories and other products, please see our Product Range catalogue and Price List. Contact GEMÜ.

GEMÜ® VALVES, MEASUREMENT
AND CONTROL SYSTEMS

